

Steam Sterilizer SC500 RBE for Treatment of Medical Waste

PRESENTATION:

The Series **SC500RBE** sterilizers are manufactured in Turkey and Spain and they incorporate state-of-the-art security efficacy to its technical design guaranteeing a perfect control of all sterilisation processes.

They have been conceived bearing in mind the needs of universities, research centres pharmaceutical or microbiological laboratories.

They are manufactured following directives of international quality standard EN ISO 9001, certification granted by the control institution Lloyd's Register Ltd. which guarantees that the Company Antonio Matachana, S.A. carries out a quality management in the design, production, delivery, installation and after sale-service of their products.

Some of the Series **SC500RBE** most remarkable features are: user friendliness, medium production capacity, microcomputer and display control, ejector vacuum system (Ventury effect) and sliding vertical doors with electric automatic activation.

The Series **SC500RBE** sterilizers are suitable, because of their performance, to most medium capacity requirements from our customers: One or two doors (to include them in installations with loading and unloading zone (common or differentiated), with or without steam generator...



MODELS:

Sterilizers included in the Series **SC500RBE** are:

Model	Code	Steam generator (E)	Network steam (V)	Number of doors (1-2)	Total Chamber Volume (litres)	Power (kW)
SC501VR-1	78065.9	--	YES	1	324	2,5
SC501VR-2	78067.9	--	YES	2	314	2,5
SC501ER-1	78066.9	YES	--	1	324	20,5
SC501ER-2	78068.9	YES	--	2	314	20,5
SC502VR-1	78076.9	--	YES	1	430	2,5
SC502VR-2	78078.9	--	YES	2	420	2,5
SC502ER-1	78077.9	YES	--	1	430	20,5
SC502ER-2	78079.9	YES	--	2	420	20,5

DESCRIPTION:

The Series **SC500RBE** sterilizers include in their technical design the state of the art security and efficacy:

- The chamber, jacket and steam generator (if included) are made of high quality stainless steel AISI 316L (1.4404).
- Continuous jacket that avoids "cool spots" inside the chamber.
- Mechanized door gasket groove for a longer gasket life and easier maintenance.
- Automatic sliding vertical doors (electric activation and safety blocking and stop systems). Manual door/s as an option.
- Vacuum by means of ejector (Ventury system), with recirculation water pump and economizer tank: high efficiency and low maintenance, silent and effective.
- Water economizer system and water separation.
- Built-in water degassing system (in versions with steam generator).
- Easy-to-read screen with language selection. Smooth keyboard.
- User friendly microcomputer control. Memorizes the last 50 cycles.
- Alphanumeric printer for detailed recording of sterilisation processes.
- PC connection via RS232.

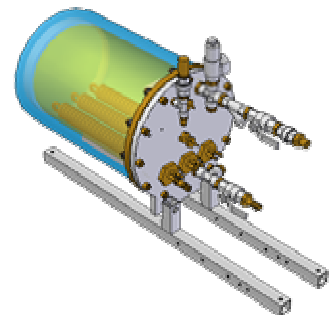


CONSTRUCTION INFORMATION:

Element	Construction material type	Notes
Chamber	1.4404 (AISI 316L stainless steel)	
Jacket	1.4404 (AISI 316L stainless steel)	Continuous
Door	1.4404 (AISI 316L stainless steel)	Automatic
Thermal insulation chamber	Armaflex	Flexible, closed cell elastomeric material
Thermal insulation door	Armaflex	
External chassis and panels	1.4301 (AISI 304 stainless steel)	
VERSIONS WITH STEAM GENERATOR:		
Water deposits	1.4301 (AISI 304 stainless steel)	Separated
Steam generator	1.4404 (AISI 316L stainless steel)	
Thermal insulation generator	Armaflex	

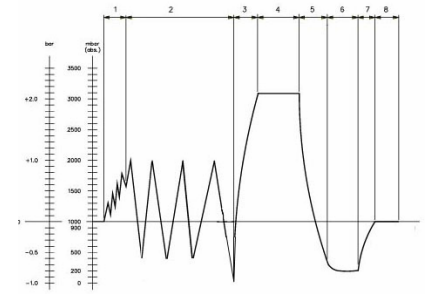
STEAM GENERATOR

Models SC501E-1/2 and SC502 E-1/2, dispose of built-in automatic steam generator made in quality stainless steel with safety system. The steam generation is done by means of heating elements of appropriate power. It is equipped with safety systems and with water level control, optionally with magnetic indicator at the frontal level.



PROGRAMMES:

Program	Characteristics
T1	VACUUM TEST
T2	BOWIE & DICK TEST (134 ⁰ C. – 3.5 min.)
Program 1	MEDICAL WASTE STERILIZATION, 134°C 30 MIN



AIR AND CONDENSATES TREATMENT SYSTEM:

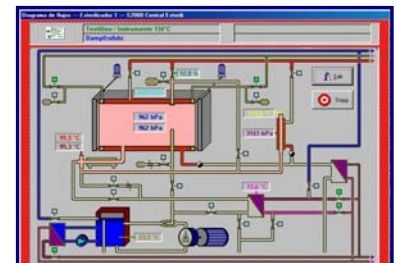
One of the unique characteristics of Series **SC500RBE** sterilizers is the treatment of fluids originated inside the chamber at the beginning of the process, when the load has not yet been sterilised. These fluids can be of a liquid nature (condensed) or gases (air) and can carry micro-organisms that are prone to being contaminating. For this reason, they are treated inside the chamber of the sterilizer with a special system that guarantees that they are sterile before being dumped through the general drainpipe to the environment.

Until the sterilization phase is not properly concluded, the condensates remain at the bottom of the chamber and are sterilized by steam injection through a valve located under the drain. This procedure allows the sterilization of 100% of condensates.

Our sterilizers are equipped with safety devices that, in case of failure, retain the condensates in the completely hermetic chamber. It is not allowed to open the door until the cycle has finished correctly.

OPTIONAL EQUIPMENT:

- Two or three channels graph recorder
- CSSDoc supervision Software
- Manual sliding door
- Air compressor, built-in or separated
- Water treatment system.
- Loading system (loading trolleys, platforms, shelves, ...).
- Panelling (side panels, jambs, lintels, maintenance doors)



APPLIED REGULATION:

SC500RBE sterilizers comply with the applicable regulations currently effective in the European Union. We can indicate, as more significant:

- Pressure Vessels Directive 97/23/EC. The sterilizer has been designed according to the European Standard EN 13445: 2002. Sterilizers are marked with CE0053, number corresponding to the notified body ATISAE.

- Other applicable directives are:
 - Low Voltage 2006/95/EC
 - Electromagnetic Compatibility 2004/108/EC
 - Machinery 98/37/EC
-